

CEILING MOUNTS

PRO / MOTORIZED SERIES

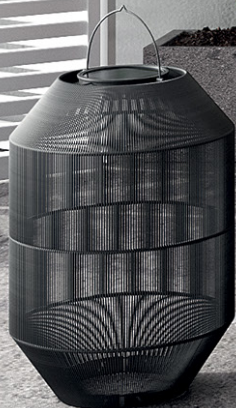
3
years
WARRANTY

MODULAR SERIES

3
years
WARRANTY



*279 CEILING MOUNT



279

EAN: 5603209002797



ANGLED CEILING
90°



32"-65"

VESA
200X200 to
400X400

kg
50 MAX

ADJUSTABLE HEIGHT: 1010-1510MM
TILT +0° -15° | INTERNAL CABLE MANAGEMENT

HA600

EAN: 5603209006016



VESA ADAPTER 600
COMPATIBLE WITH 279 / 280

280

EAN: 5603209002803



ANGLED CEILING
90°



42"-90"

VESA
200X200 to
800X400

kg
50 MAX

ADJUSTABLE HEIGHT: 1010-1510MM
TILT +0° -15° | INTERNAL CABLE MANAGEMENT

HA600

EAN: 5603209006016



VESA ADAPTER 600
COMPATIBLE WITH 279 / 280

281

EAN: 5603209002810



ANGLED CEILING
±60°



2
DISPLAYS

42"-90"

VESA
200X200 to
600X400

kg
50 MAX
DISPLAY

ADJUSTABLE HEIGHT: 1060-1560MM | TILT +5° -20°
SWIVEL 360° | LEVEL ±3° | INTERNAL CABLE MANAGEMENT

285

EAN: 5603209002858



32"-65"

VESA
200X200 to
400X400

kg
50 MAX

ADJUSTABLE HEIGHT: 560-910MM | TILT +0° -25°
SWIVEL 360° | LEVEL ±3° | INTERNAL CABLE MANAGEMENT

286

EAN: 5603209002865



ANGLED CEILING
±60°



42"-90"

VESA
200X200 to
600X400

kg
50 MAX

ADJUSTABLE HEIGHT: 560-910MM | TILT +0° -25°
SWIVEL 360° | LEVEL ±3° | INTERNAL CABLE MANAGEMENT

CM410M

EAN: 5603209004999



RF REMOTE CONTROL INCLUDED



PERFECT FOR
FLAT & ANGLED
CEILINGS



23"-55"

VESA
200X200 to
400X400

kg
30 MAX

MOUNTING PROFILE: 108-663MM | TILT 0° -75° | LEVEL ±3°
COSTUMIZABLE POSITION MEMORY

CM610M

EAN: 5603209004968



RF REMOTE CONTROL INCLUDED



32"-70"

VESA
200X100 to
600X400

kg
35 MAX

MOUNTING PROFILE: 108-725MM | TILT 0° -75° | LEVEL ±2°
COSTUMIZABLE POSITION MEMORY

EXAMPLE 4

DISPLAY CEILING MOUNT



EXAMPLE 4
1 DISPLAY

55"-98"



EXAMPLE 5

DUAL DISPLAY BACK/BACK



EXAMPLE 5
2 DISPLAYS
(DUAL DISPLAY BACK TO BACK)

55"-98"



EASY TO INSTALL
AND COMBINE



FREEDOM TO CREATE
MODULAR MOUNT
WITH **UNLIMITED**
CONFIGURATION

EXAMPLE 6

DISPLAY CEILING MOUNT

EXAMPLE 9

2X1 MENU BOARD



MODULAR

EXAMPLE 6
1 DISPLAY
(TILT)

32"-75"

VESA
200X200 to
600X400

H 1806

kg
50 MAX



MODULAR

EXAMPLE 9
2 DISPLAYS
(2X1 TILT MENU BOARD)

43"-60"

VESA
200X200 to
600X400

H 1806

kg
50 MAX
DISPLAY



EASY TO INSTALL
AND COMBINE



ALL PARTS &
COMPONENTS
PAG 56-59

FREEDOM TO CREATE
MODULAR MOUNT
WITH **UNLIMITED**
CONFIGURATION

EXAMPLE 12

3X1 MENU BOARD



MODULAR



EXAMPLE 12
3 DISPLAYS
(3X1 TILT MENU BOARD)

50"-60"

VESA
200X200 to
600X400

H 1806

kg
50 MAX
DISPLAY

EXAMPLE 7

DUAL DISPLAY BACK/BACK



MODULAR

EXAMPLE 7
2 DISPLAYS
(TILT BACK TO BACK)

32"-75"

VESA
200X200 to
600X400

H 1806

37,5 MAX
DISPLAY

EXAMPLE 10

DUAL 2X1 MENU BOARD BACK/BACK



MODULAR

EXAMPLE 10
4 DISPLAYS
(DUAL 2X1 MENU BOARD
BACK TO BACK)

43"-60"

VESA
200X200 to
600X400

H 1806

37,5 MAX
DISPLAY

FREEDOM TO CREATE
MODULAR MOUNT
WITH **UNLIMITED**
CONFIGURATION



EASY TO INSTALL
AND COMBINE



*
ALL PARTS &
COMPONENTS
PAG 56-59

EXAMPLE 13

DUAL 3X1 MENU BOARD BACK/BACK



MODULAR

EXAMPLE 13
6 DISPLAYS
(DUAL 3X1 TIL MENU
BOARD BACK TO BACK)

50"-60"

VESA
200X200 to
600X400

H 1806

37,5 MAX
DISPLAY

EXAMPLE 8

1X2 VIDEO WALL



MODULAR



EXAMPLE 8
2 DISPLAYS
(1X2 VIDEO WALL)

40"-70"

VESA
200X200 to
600X400

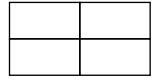


EXAMPLE 11

2X2 VIDEO WALL



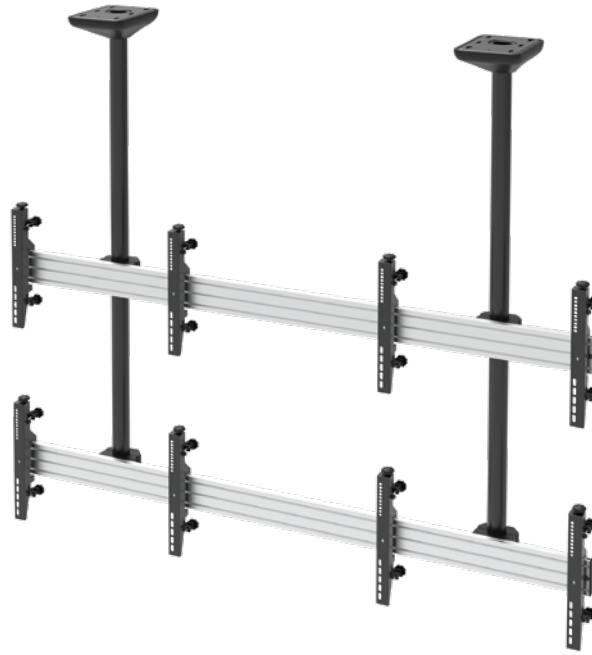
MODULAR



EXAMPLE 11
4 DISPLAYS
(2X2 VIDEO WALL)

50"-60"

VESA
200X200 to
600X400



EASY TO INSTALL
AND COMBINE

FREEDOM TO CREATE
MODULAR MOUNT
WITH **UNLIMITED**
CONFIGURATION

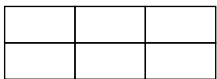


EXAMPLE N°14

3X2 VIDEO WALL



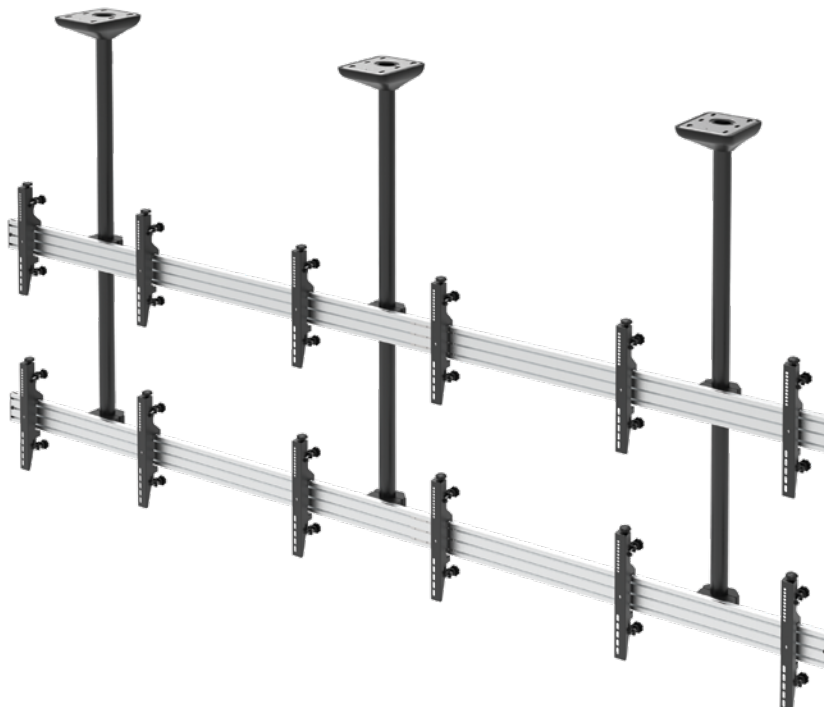
MODULAR



EXAMPLE N°14
6 DISPLAYS
(3X2 VIDEO WALL)

55"-60"

VESA
200X200 to
600X400



CEILING TO FLOOR MOUNTS

PRO SERIES

3
years
WARRANTY

MODULAR SERIES

3
years
WARRANTY

*FCM600T CEILING TO FLOOR MOUNT

FCM600T

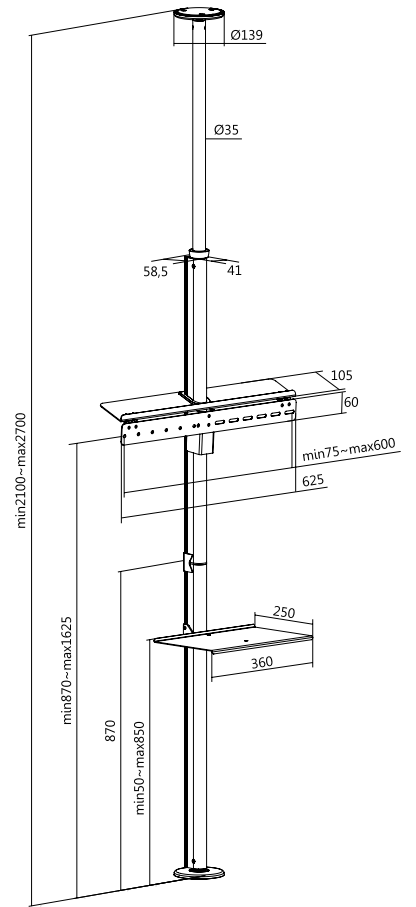
EAN: 5603209000557



CABLE MANAGEMENT
INTEGRATED



TELESCOPIC
HEIGHT ADJUSTABLE



ALL DIMENSIONS (MM)

50"-70"

VESA
200X200 to
600X600

kg
30 MAX

ADJUSTABLE HEIGHT: 2100-2700MM
SWIVEL $\pm 180^\circ$ | AV SHELF | RUBBER PADS

EXAMPLE 40

DISPLAY CEILING/FLOOR MOUNT



MODULAR

EXAMPLE 40
1 DISPLAY

55"-98"

VESA
200X200 to
600X800

H 3609

kg
150 MAX



EASY TO INSTALL
AND COMBINE



ALL PARTS &
COMPONENTS
PAG 56-59

EXAMPLE 41

DUAL DISPLAY CEILING/FLOOR MOUNT



MODULAR

EXAMPLE 41
2 DISPLAYS
(DUAL DISPLAY BACK TO BACK)

55"-98"

VESA
200X200 to
600X800

H 3609

kg
75 MAX
DISPLAY

EXAMPLE 42

DISPLAY CEILING/FLOOR MOUNT



MODULAR

EXAMPLE 42
1 DISPLAY (TILT)

32"-75"

VESA
200X200 to
600X400

H 3609

kg
50 MAX

EXAMPLE 43

DUAL DISPLAY CEILING/FLOOR MOUNT



MODULAR

EXAMPLE 43
2 DISPLAYS
(DUAL DISPLAY TILT BACK TO BACK)

32"-75"

VESA
200X200 to
600X400

H 3609

kg
37,5 MAX
DISPLAY

EXAMPLE 44

1X2 VIDEO WALL



MODULAR



EXAMPLE 44
2 DISPLAYS
(1X2 VIDEO WALL)

40"-75"

VESA
200X200 to
600X400

H 3609

50 MAX
DISPLAY

EXAMPLE 45

DUAL 1X2 VIDEO WALL BACK/BACK



MODULAR



EXAMPLE 45
2 DISPLAYS
(DUAL 1X2 VIDEO WALL BACK/BACK)

40"-75"

VESA
200X200 to
600X400

H 3609

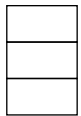
37,5 MAX
DISPLAY

EXAMPLE 46

1X3 VIDEO WALL



MODULAR



EXAMPLE 46
3 DISPLAYS
(1X3 VIDEO WALL)

40"-75"

VESA
200X200 to
600X400

H 3609

50 MAX
DISPLAY



EASY TO INSTALL
AND COMBINE



ALL PARTS &
COMPONENTS
PAG 56-59

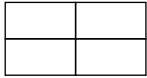
FREEDOM TO CREATE
MODULAR MOUNT
WITH **UNLIMITED**
CONFIGURATION

EXAMPLE 47

CEILING TO FLOOR MODULAR MOUNT



MODULAR



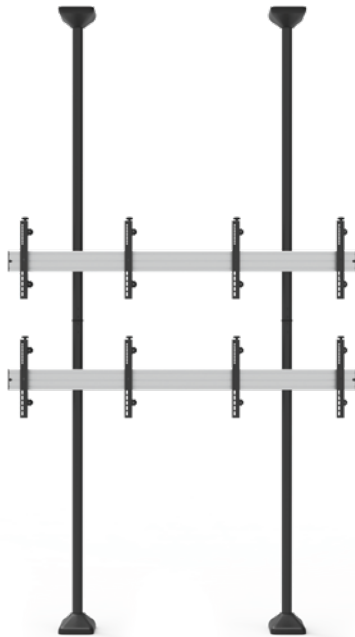
EXAMPLE 47
4 DISPLAYS
(2X2 VIDEO WALL)

50"-60"

VESA
200X200 to
600X400

H 3609

kg
50 MAX
DISPLAY

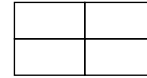


EXAMPLE 48

CEILING TO FLOOR MODULAR MOUNT



MODULAR



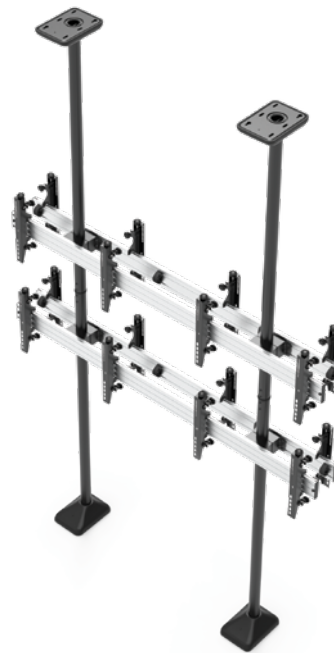
EXAMPLE 48
4 DISPLAYS
(2X2 VIDEO WALL
BACK TO BACK)

50"-60"

VESA
200X200 to
600X400

H 3609

kg
37,5 MAX
DISPLAY



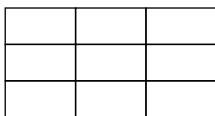
FREEDOM TO CREATE
MODULAR MOUNT
WITH **UNLIMITED**
CONFIGURATION

EXAMPLE 49

3X3 VIDEO WALL



MODULAR



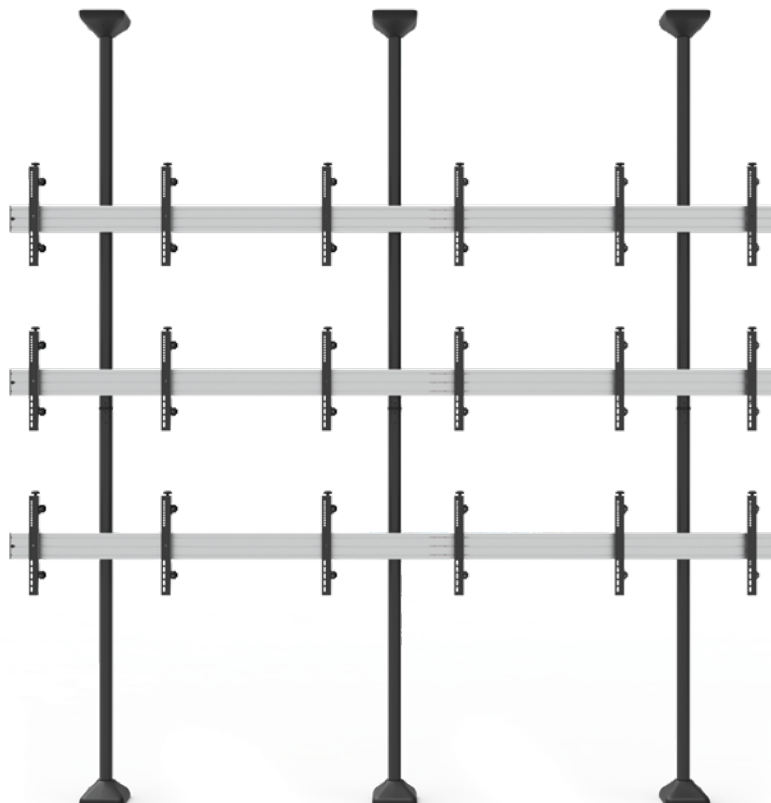
EXAMPLE 49
9 DISPLAYS
(3X3 VIDEO WALL)

55"-60"

VESA
200X200 to
600X400

H 3609

kg
50 MAX
DISPLAY



EASY TO INSTALL
AND COMBINE



ALL PARTS &
COMPONENTS
PAG 56-59